



**CATALOGUE PAGES**



# Alybris

*Design Philippe STEPHANT*

Ideal for libraries, reading places and manager offices ALYBRIS is equipped with an halogen bulb 42 W, E 27 cap.

The lighting head, made out of frosted white glass can be oriented and inclined on two axes on the top of the arm.

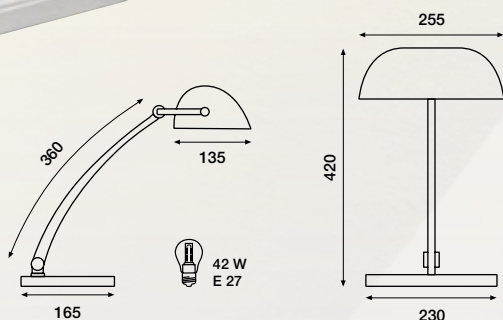
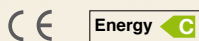
The chromed base insure a very good stability.

Its double steel arm can be chromed or be equipped with 3 different wood finishes.

Main lead: 1.80 m integrated switch.

Double isolation, Class 2.

For more information on this product download the technical sheet on [www.manade.com](http://www.manade.com)





#### References

|               |                   |
|---------------|-------------------|
| Chromed Arm:  | <b>ALYBRIS 08</b> |
| Pearwood Arm: | <b>ALYBRIS 43</b> |
| Beech Arm:    | <b>ALYBRIS 40</b> |
| Wenge Arm:    | <b>ALYBRIS 41</b> |

#### Structure finishes



08 Chrome

#### Wood finishes



40 Beech



43 Pearwood



41 Wenge



Chrome 08



Beech 40



Pearwood 43



Wenge 41